

# KCV-120

White Square Ceramic Bathroom Sink

# Kräus®

SPECIFICATION SHEET

## Material

Vitreous China

## Installation Type

Vessel

## Bowl Shape

Square

## Drain

Type: W/O Overflow

Drain Hole Size: 1 3/4"

## Dimensions

15" x 15" x 5 1/4"

## Optional Accessories

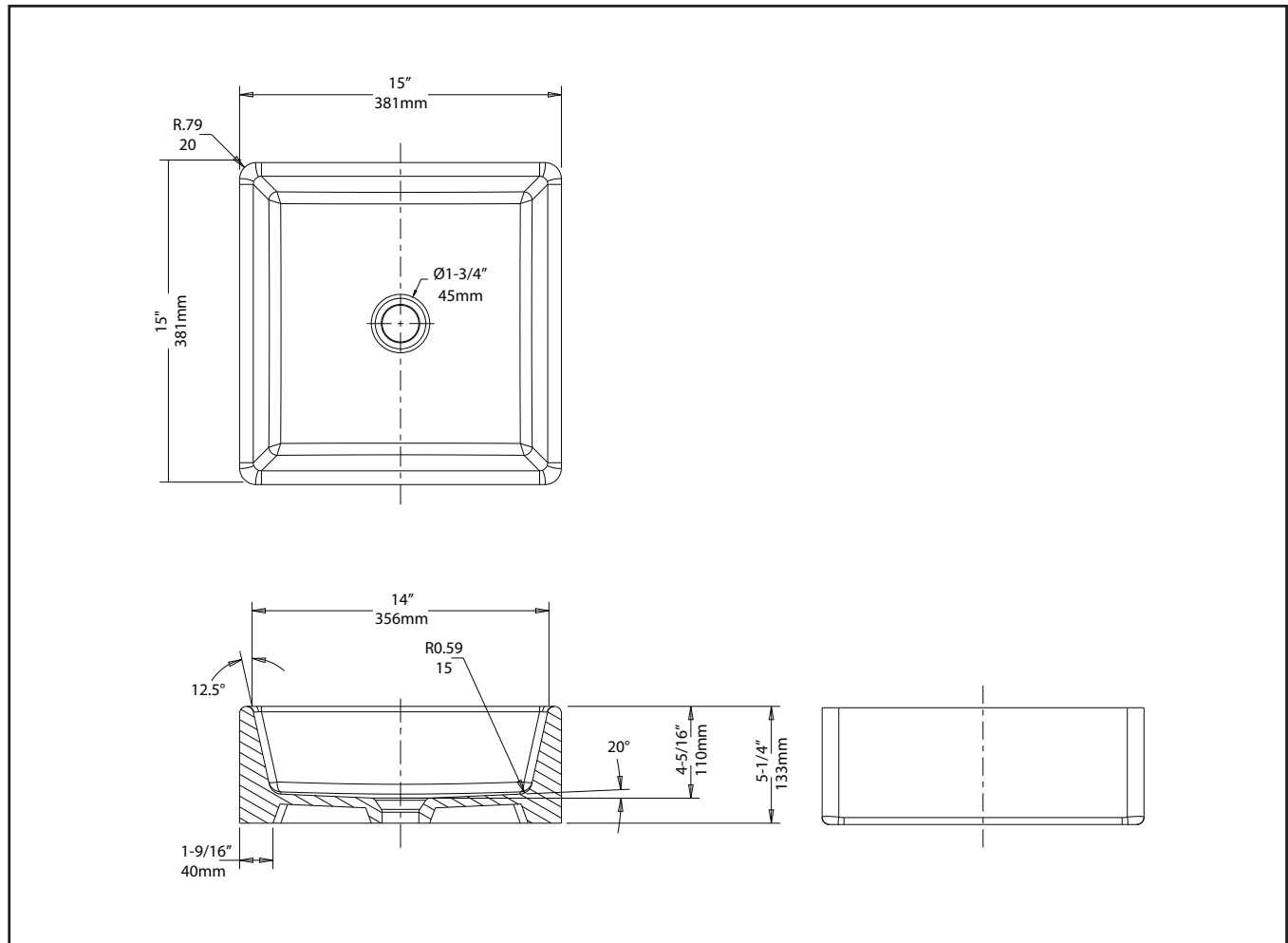
Pop-Up Drain: PU-10/PU-15

Grid Drains: PU-12

P-Traps: PT-50

Kraus Limited Lifetime Warranty: See website for details [www.kraususa.com](http://www.kraususa.com)

1.800.775.0703 / [customerservice@kraususa.com](mailto:customerservice@kraususa.com)



Listing: UPC, cUPC, CSA, IPC, ANSI, IAPMO, SCC

REV. December 21, 2015

# KCV-121

## White Rectangular Ceramic Bathroom Sink

Kräus®

SPECIFICATION SHEET

### Material

Vitreous China

### Installation Type

Vessel

### Bowl Shape

Rectangular

### Drain

Type: W/O Overflow

Drain Hole Size: 1 3/4"

### Dimensions

18 3/4" x 14 1/4" x 5 1/4"

### Optional Accessories

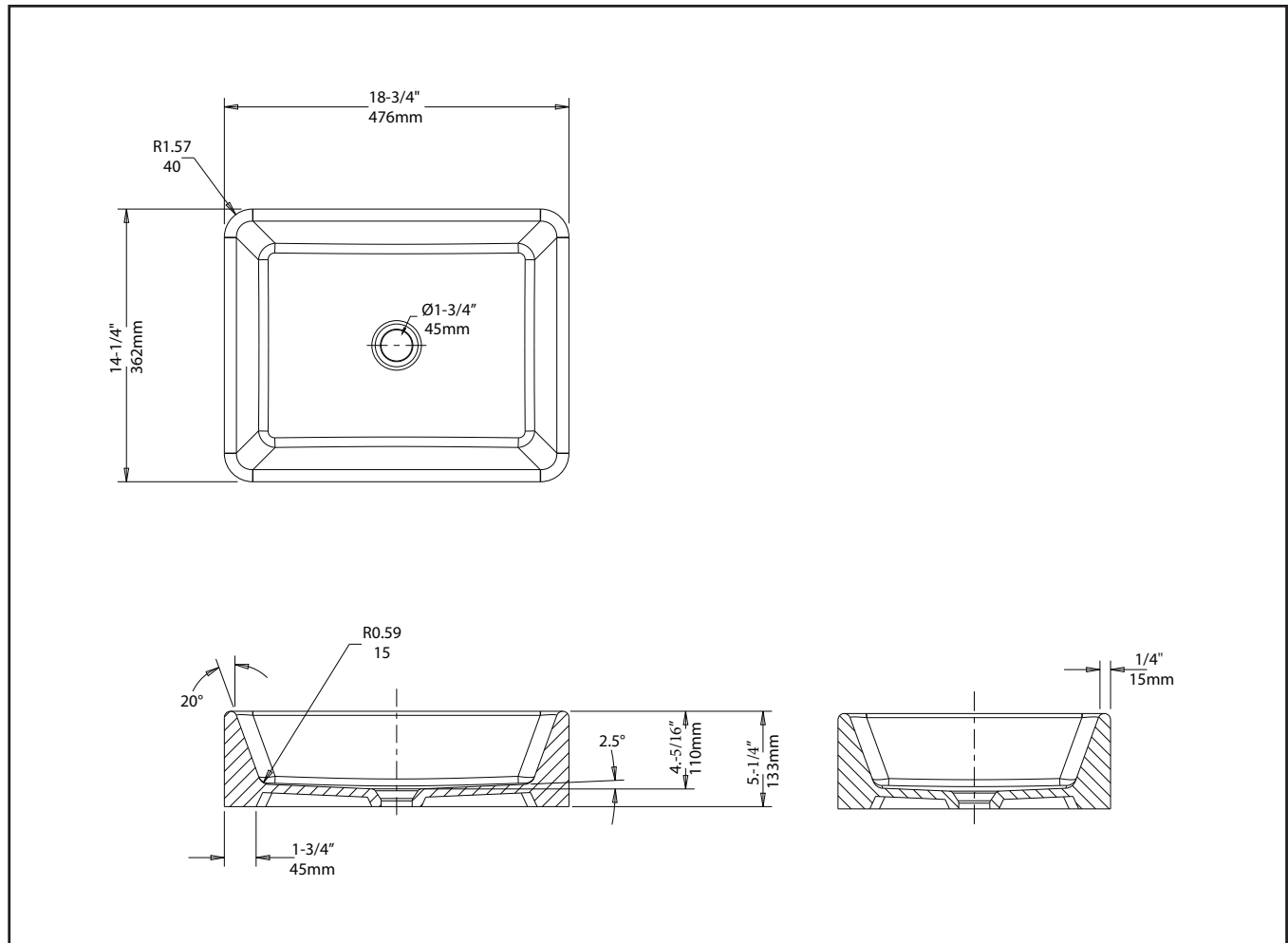
Pop-Up Drain: PU-10/PU-15

Grid Drains: PU-12

P-Traps: PT-50

Kraus Limited Lifetime Warranty: See website for details [www.kraususa.com](http://www.kraususa.com)

1.800.775.0703 / [customerservice@kraususa.com](mailto:customerservice@kraususa.com)



# KCV-122

## White Rectangular Ceramic Bathroom Sink

# Kräus<sup>®</sup>

### SPECIFICATION SHEET

#### Material

Vitreous China

#### Installation Type

Vessel

#### Bowl Shape

Rectangular

#### Drain

Type: W/O Overflow

Drain Hole Size: 1 3/4"

#### Dimensions

19 1/4" x 11 3/4" x 5"

#### Optional Accessories

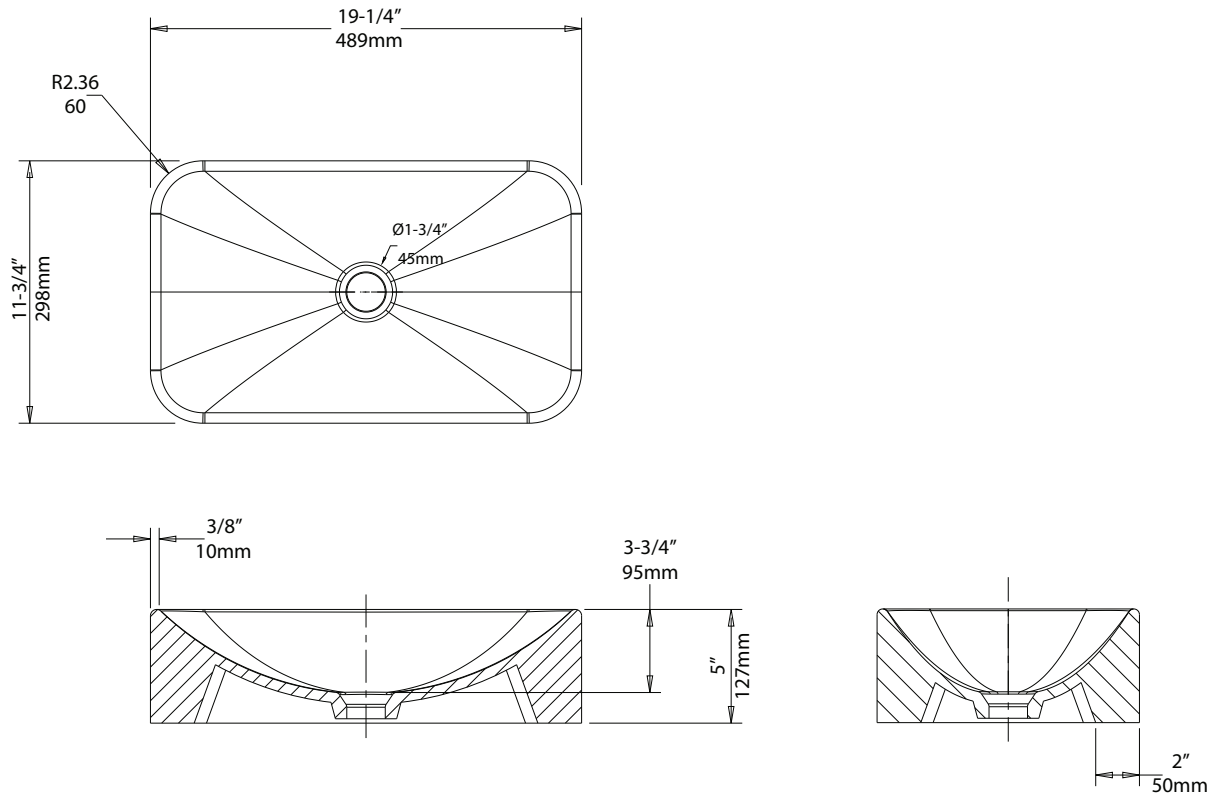
Pop-Up Drain: PU-10/PU-15

Grid Drains: PU-12

P-Traps: PT-50

Kraus Limited Lifetime Warranty: See website for details [www.kraususa.com](http://www.kraususa.com)

1.800.775.0703 / [customerservice@kraususa.com](mailto:customerservice@kraususa.com)



# KCV-125

## White Square Ceramic Bathroom Sink

Kräus®

SPECIFICATION SHEET

### Material

Vitreous China

### Installation Type

Vessel

### Bowl Shape

Square

### Drain

Type: W/O Overflow

Drain Hole Size: 1 3/4"

### Dimensions

16" x 16" x 4 1/2"

### Optional Accessories

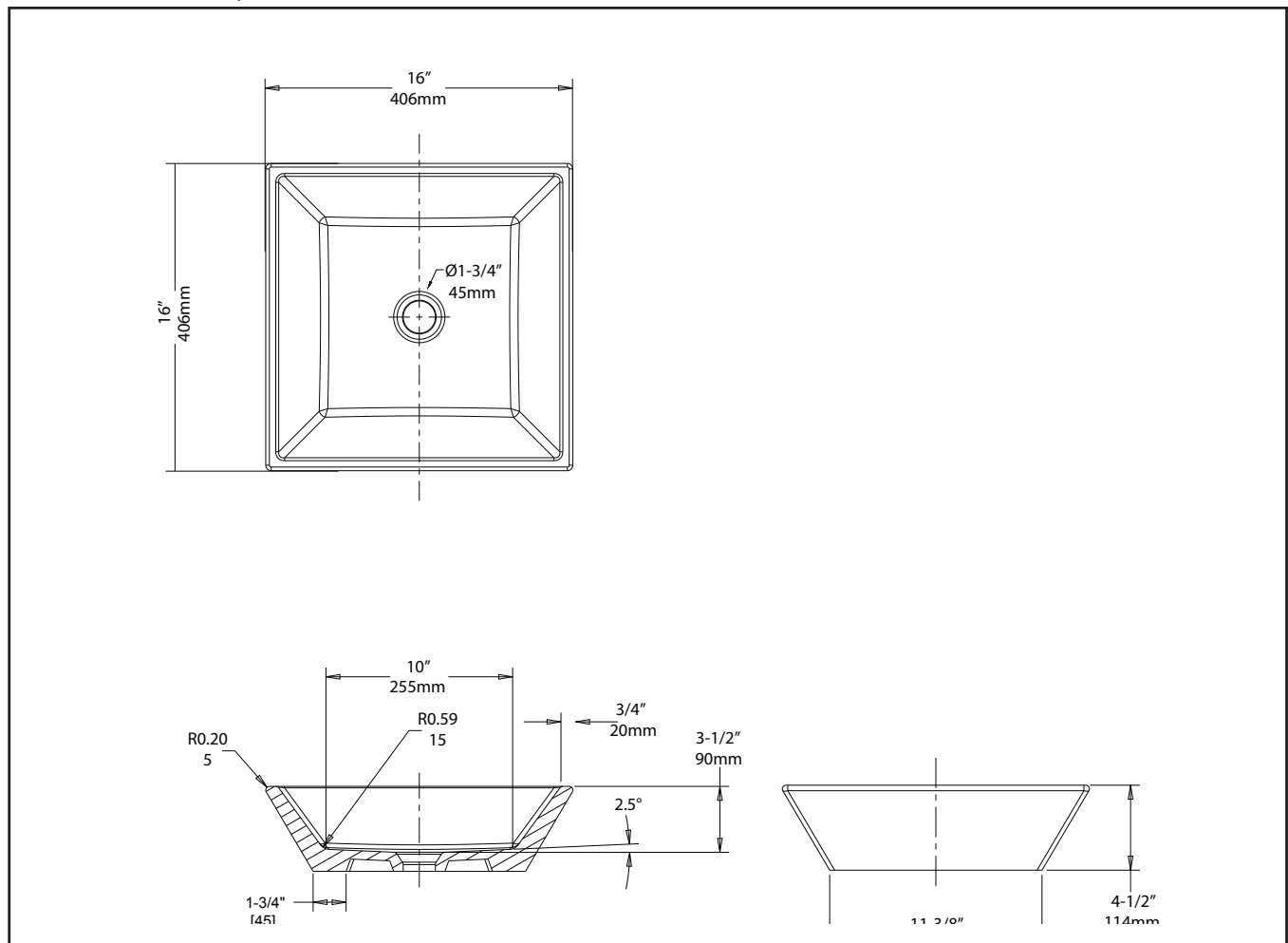
Pop-Up Drain: PU-10/PU-15

Grid Drains: PU-12

P-Traps: PT-50

Kraus Limited Lifetime Warranty: See website for details [www.kraususa.com](http://www.kraususa.com)

1.800.775.0703 / [customerservice@kraususa.com](mailto:customerservice@kraususa.com)



# KCV-135

White Tulip Ceramic Bathroom Sink

# Kräus®

SPECIFICATION SHEET

## Material

Vitreous China

## Installation Type

Vessel

## Bowl Shape

Tulip

## Drain

Type: W/O Overflow

Drain Hole Size: 1 3/4"

## Dimensions

15 1/2" x 15 1/2" x 6"

## Optional Accessories

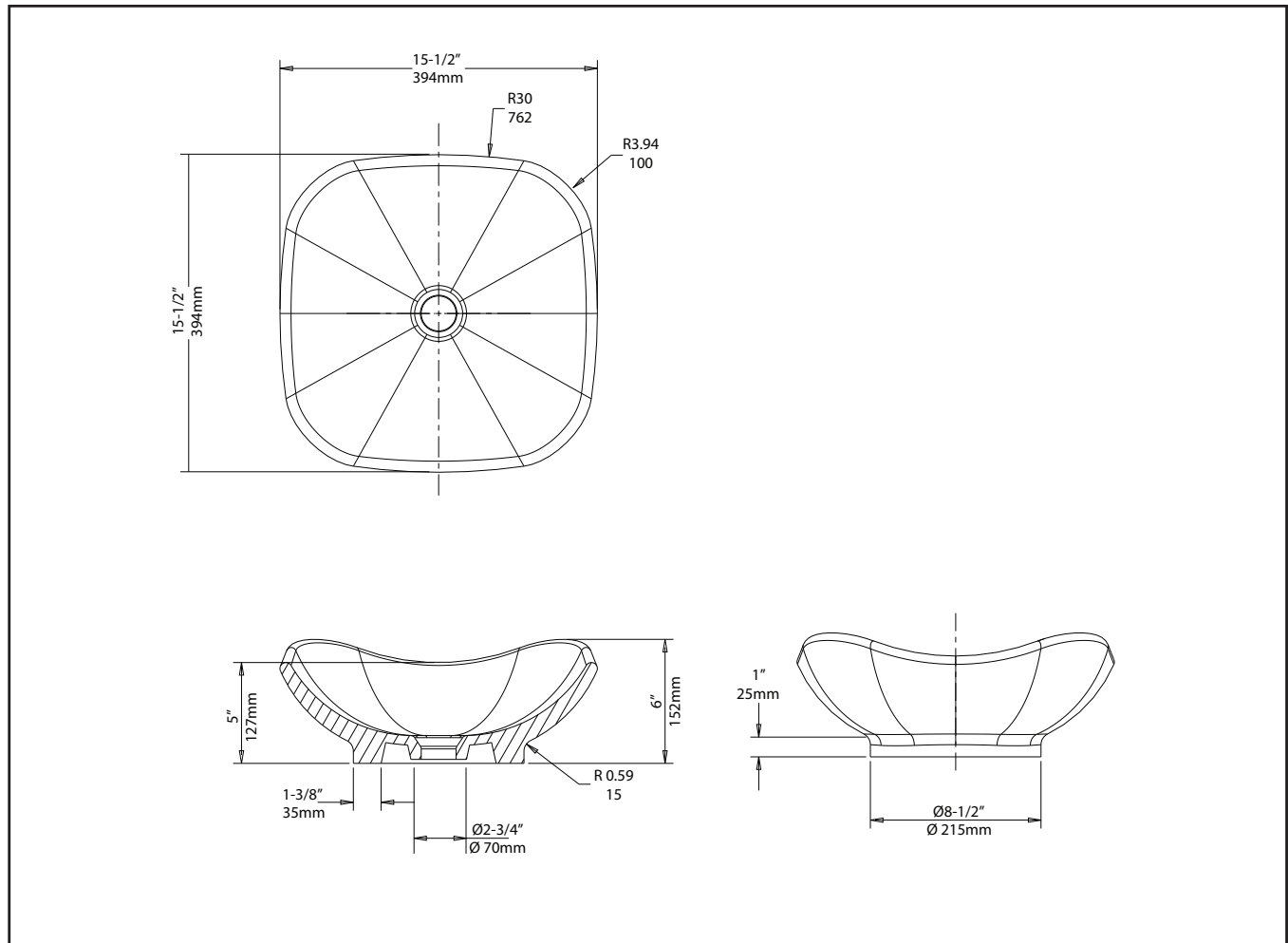
Pop-Up Drain: PU-10/PU-15

Grid Drains: PU-12

P-Traps: PT-50

Kraus Limited Lifetime Warranty: See website for details [www.kraususa.com](http://www.kraususa.com)

1.800.775.0703 / [customerservice@kraususa.com](mailto:customerservice@kraususa.com)



# KCV-140

## White Round Ceramic Bathroom Sink

# Kräus<sup>®</sup>

### SPECIFICATION SHEET

#### Material

Vitreous China

#### Installation Type

Vessel

#### Bowl Shape

Round

#### Drain

Type: W/O Overflow

Drain Hole Size: 1 3/4"

#### Dimensions

17 3/4" x 5"

#### Optional Accessories

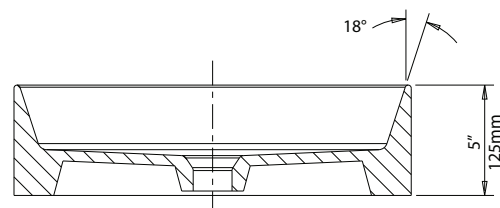
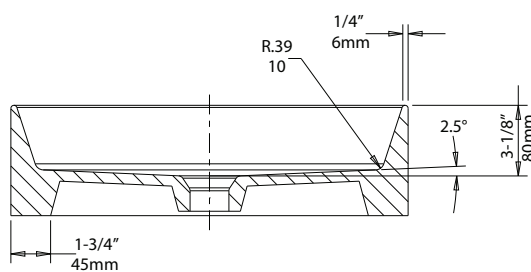
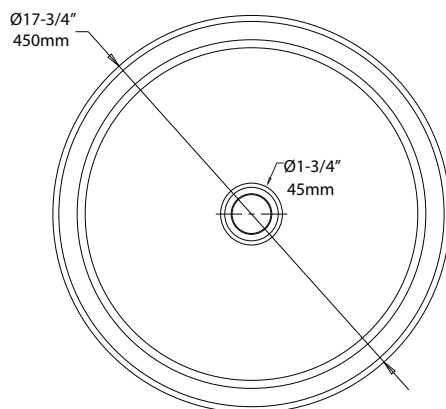
Pop-Up Drain: PU-10/PU-15

Grid Drains: PU-12

P-Traps: PT-50

Kraus Limited Lifetime Warranty: See website for details [www.kraususa.com](http://www.kraususa.com)

1.800.775.0703 / [customerservice@kraususa.com](mailto:customerservice@kraususa.com)



# KCV-141

White Round Ceramic Bathroom Sink

# Kräus<sup>®</sup>

SPECIFICATION SHEET

## Material

Vitreous China

## Installation Type

Vessel

## Bowl Shape

Round

## Drain

Type: W/O Overflow

Drain Hole Size: 1 3/4"

## Dimensions

15 3/4 x 6 1/4"

## Optional Accessories

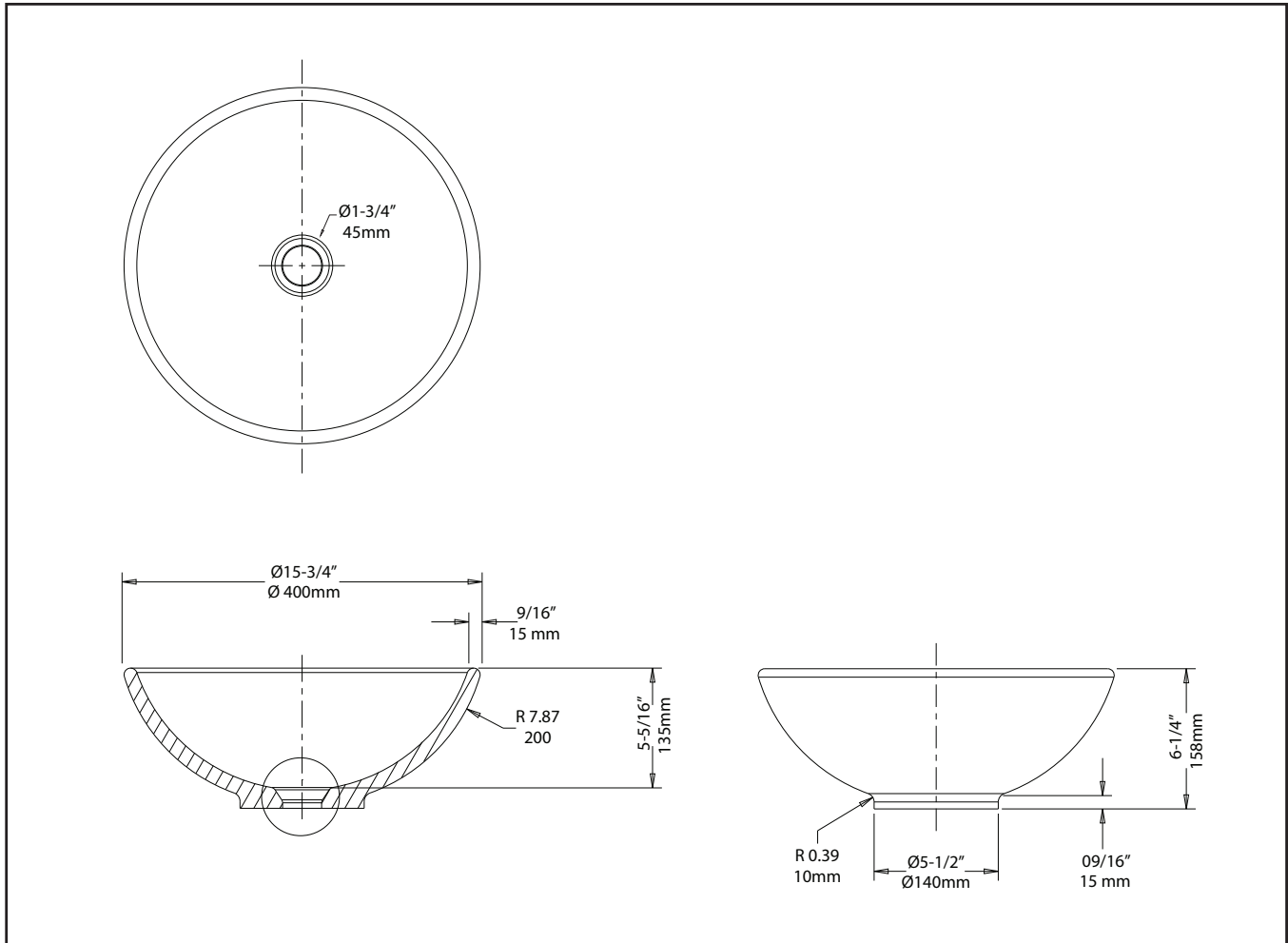
Pop-Up Drain: PU-10/PU-15

Grid Drains: PU-12

P-Traps: PT-50

Kraus Limited Lifetime Warranty: See website for details [www.kraususa.com](http://www.kraususa.com)

1.800.775.0703 / [customerservice@kraususa.com](mailto:customerservice@kraususa.com)



Listing: UPC, cUPC, CSA, IPC, ANSI, IAPMO, SCC

REV. December 21, 2015

# KCV-142

## White Round Ceramic Bathroom Sink

# Kräus®

### SPECIFICATION SHEET

#### Material

Vitreous China

#### Installation Type

Vessel

#### Bowl Shape

Round

#### Drain

Type: W/O Overflow

Drain Hole Size: 1 3/4"

#### Dimensions

18 1/4" x 5 1/2"

#### Optional Accessories

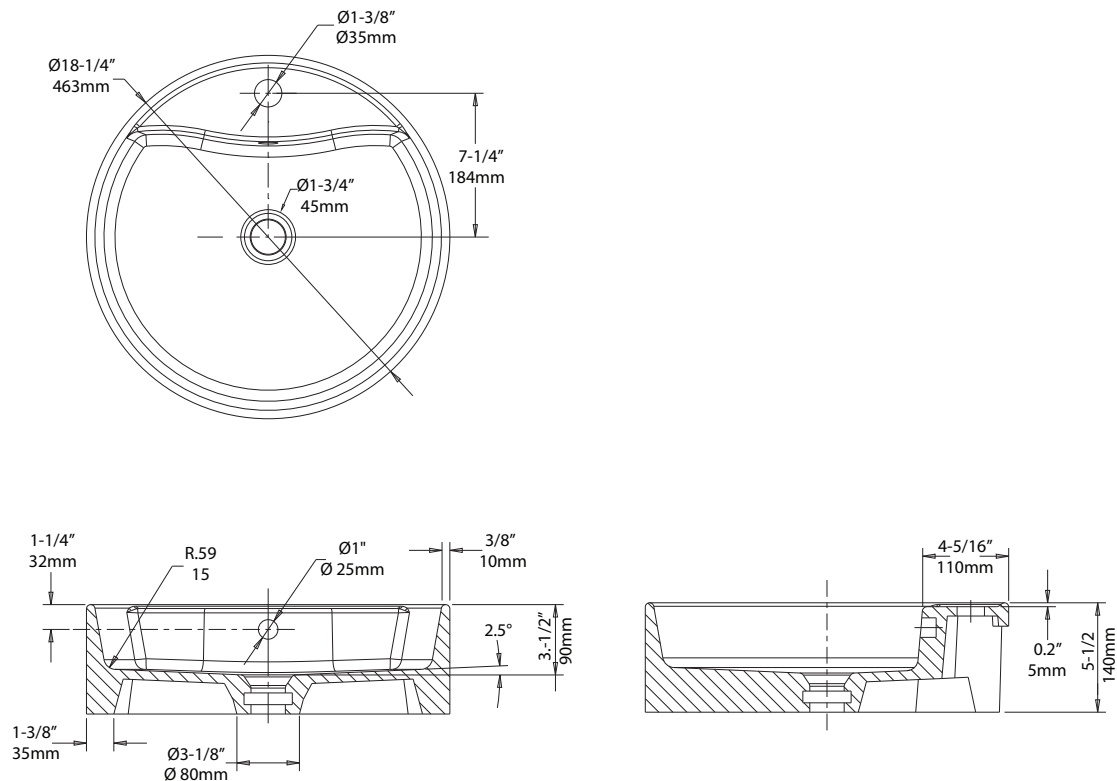
Pop-Up Drain: PU-10/PU-15

Grid Drains: PU-12

P-Traps: PT-50

Kraus Limited Lifetime Warranty: See website for details [www.kraususa.com](http://www.kraususa.com)

1.800.775.0703 / [customerservice@kraususa.com](mailto:customerservice@kraususa.com)





# KCV-150

## White Square Ceramic Bathroom Sink

# Kräus<sup>®</sup>

### SPECIFICATION SHEET

#### Material

Vitreous China

#### Installation Type

Vessel

#### Bowl Shape

Square

#### Drain

Type: W/O Overflow

Drain Hole Size: 1 3/4"

#### Dimensions

18 1/2" x 18 1/2" x 5 3/4"

#### Optional Accessories

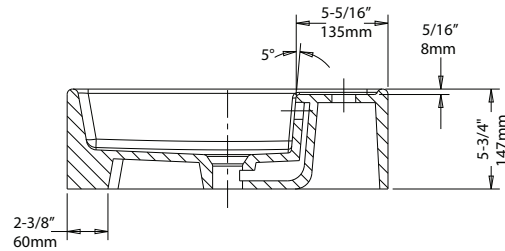
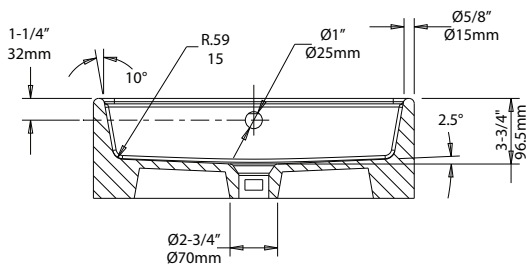
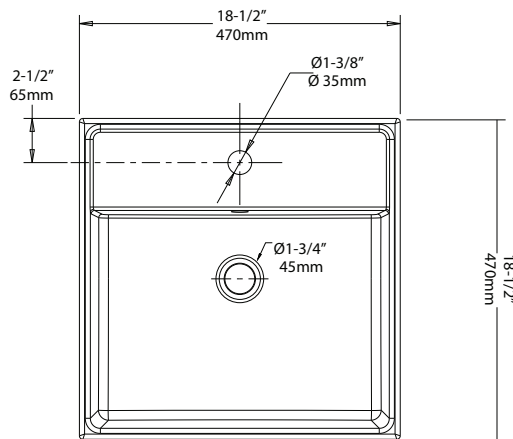
Pop-Up Drain: PU-10/PU-15

Grid Drains: PU-12

P-Traps: PT-50

Kraus Limited Lifetime Warranty: See website for details [www.kraususa.com](http://www.kraususa.com)

1.800.775.0703 / [customerservice@kraususa.com](mailto:customerservice@kraususa.com)



# Elavo™ / KCV-126

White Ceramic Flared Square Vessel Bathroom Sink

# Kräus®

SPECIFICATION SHEET

## Material

Vitreous China

## Installation Type

Vessel

## Bowl Shape

Square

## Drain

Type: W/O Overflow

Drain Hole Size: 1 3/4"

## Dimensions

16 1/2" x 16 1/2" x 5 1/2"

## Optional Accessories

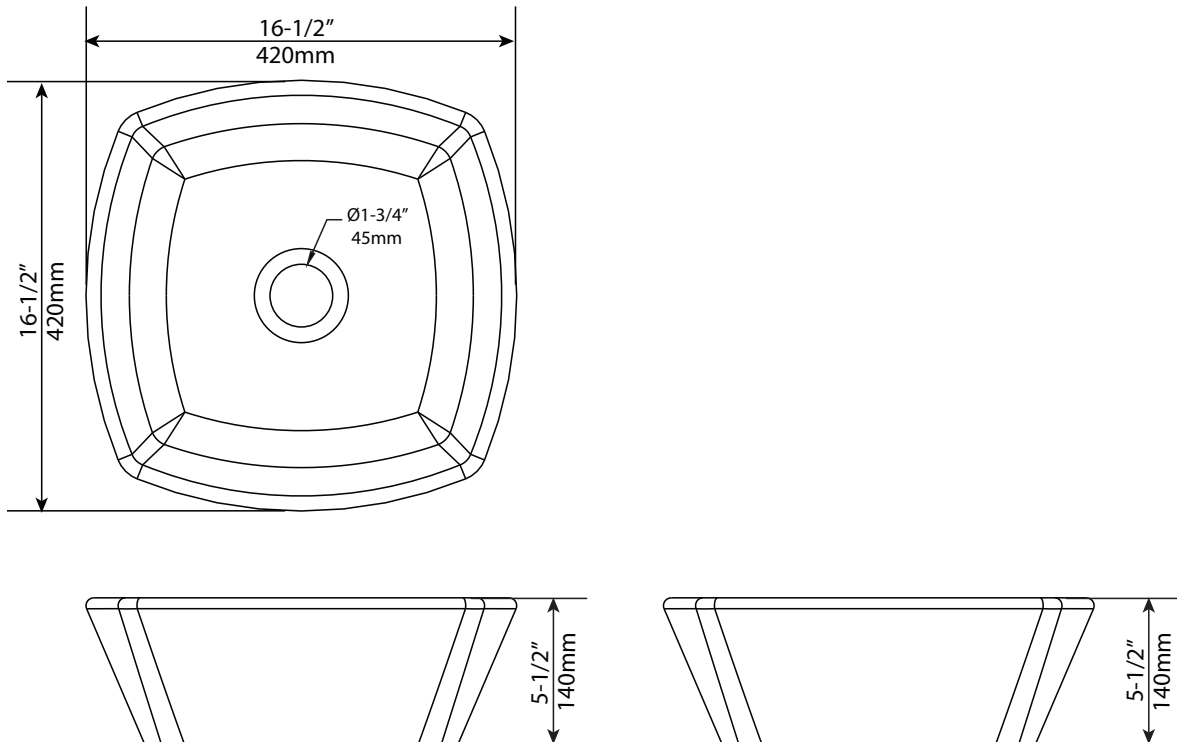
Pop-Up Drain: PU-10/PU-15

Grid Drains: PU-12

P-Traps: PT-50

Kraus Limited Lifetime Warranty: See website for details [www.kraususa.com](http://www.kraususa.com)

1.800.775.0703 / [customerservice@kraususa.com](mailto:customerservice@kraususa.com)



# Elavo™ / KCV-127

White Ceramic Soft Square Vessel Bathroom Sink

# Kräus®

SPECIFICATION SHEET

## Material

Vitreous China

## Installation Type

Vessel

## Bowl Shape

Square

## Drain

Type: W/O Overflow

Drain Hole Size: 1 3/4"

## Dimensions

18 1/8" x 16 1/8" x 5 1/2"

## Optional Accessories

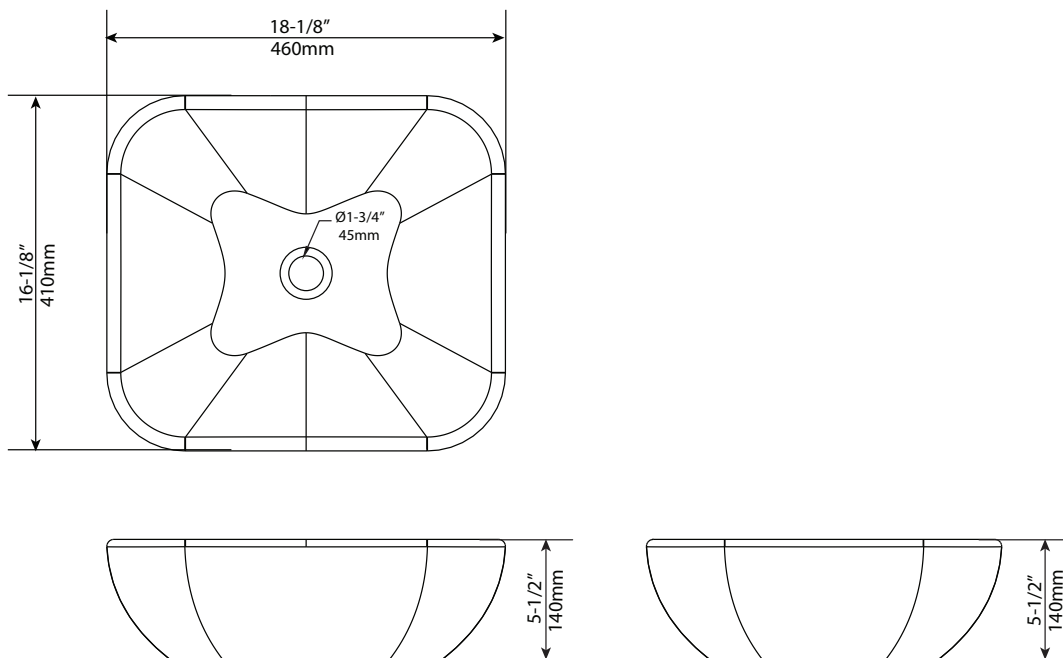
Pop-Up Drain: PU-10/PU-15

Grid Drains: PU-12

P-Traps: PT-50

Kraus Limited Lifetime Warranty: See website for details [www.kraususa.com](http://www.kraususa.com)

1.800.775.0703 / [customerservice@kraususa.com](mailto:customerservice@kraususa.com)



# Elavo™ / KCV-143

White Ceramic Round Vessel Bathroom Sink

Kräus®

SPECIFICATION SHEET

## Material

Vitreous China

## Installation Type

Vessel

## Bowl Shape

Round

## Drain

Type: W/O Overflow

Drain Hole Size: 1 3/4"

## Dimensions

16 3/8" x 5 1/2"

## Optional Accessories

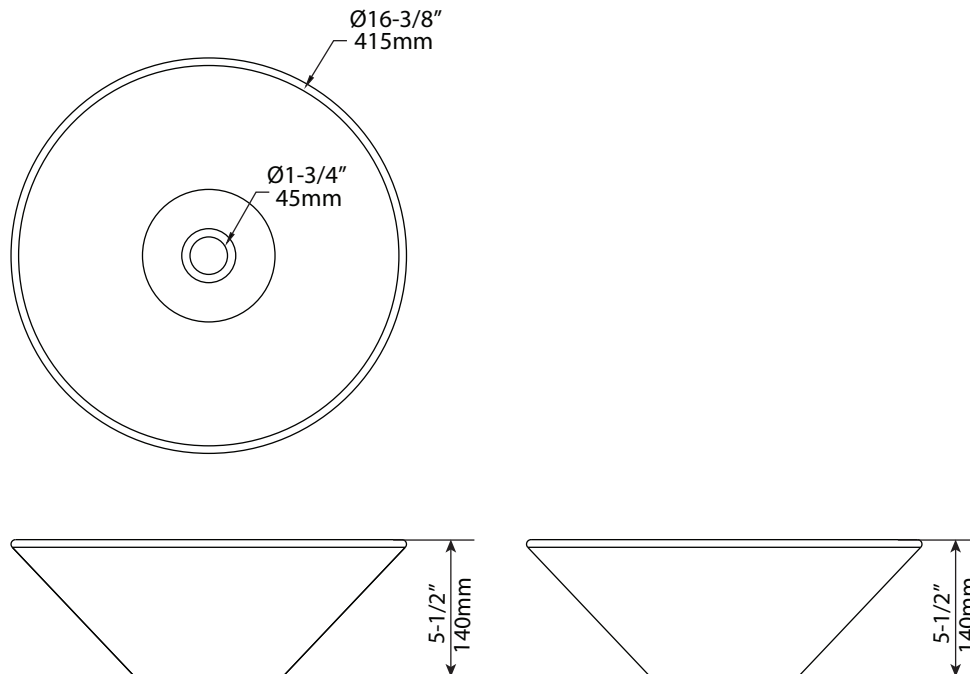
Pop-Up Drain: PU-10/PU-15

Grid Drains: PU-12

P-Traps: PT-50

Kraus Limited Lifetime Warranty: See website for details [www.kraususa.com](http://www.kraususa.com)

1.800.775.0703 / [customerservice@kraususa.com](mailto:customerservice@kraususa.com)



# Elavo™ / KCV-341

White Ceramic Small Round Vessel Bathroom Sink

# Kräus®

SPECIFICATION SHEET

## Material

Vitreous China

## Installation Type

Vessel

## Bowl Shape

Round

## Drain

Type: W/O Overflow

Drain Hole Size: 1 3/4"

## Dimensions

13 11/16" x 5 1/4"

## Optional Accessories

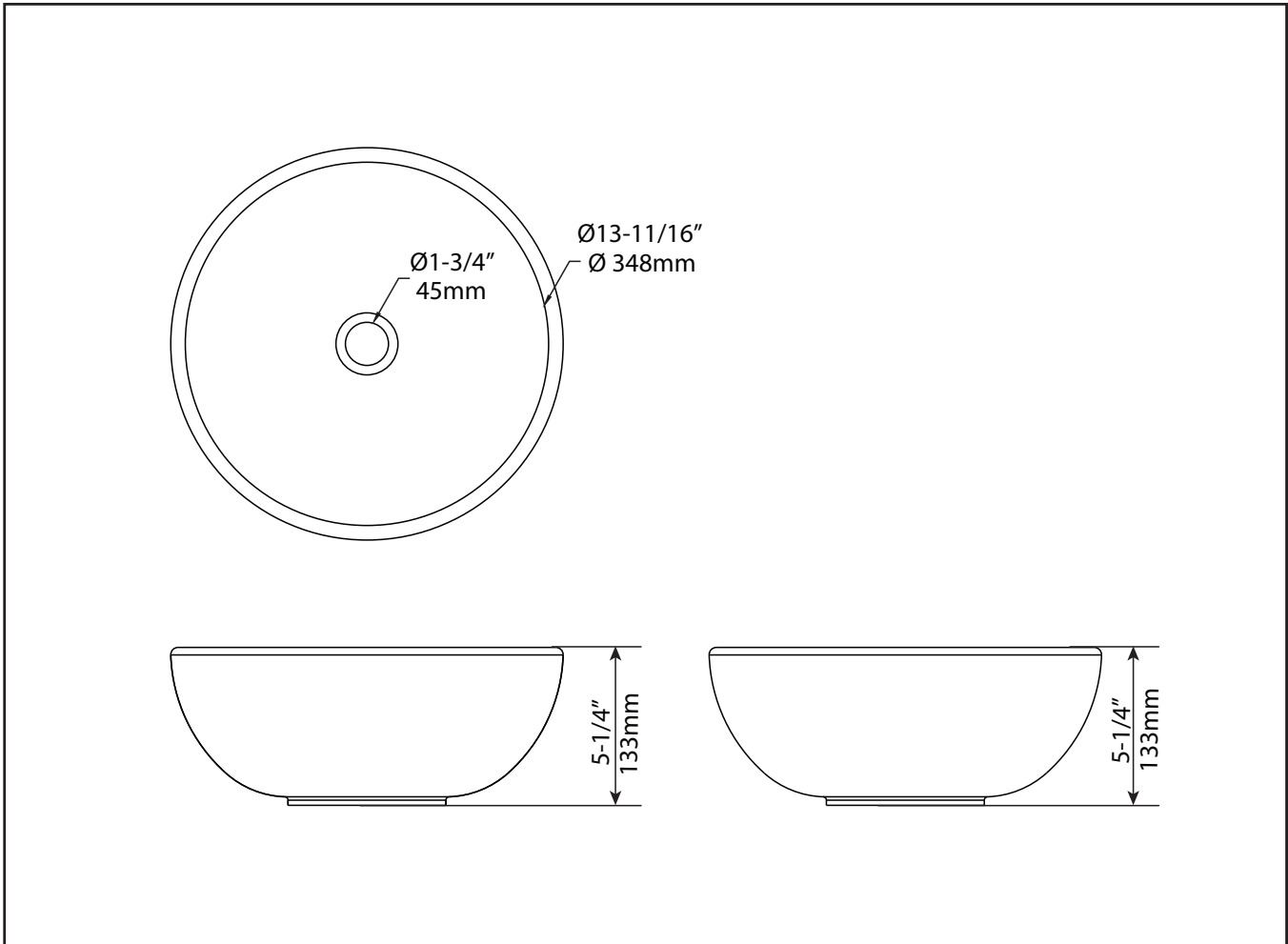
Pop-Up Drain: PU-10/PU-15

Grid Drains: PU-12

P-Traps: PT-50

Kraus Limited Lifetime Warranty: See website for details [www.kraususa.com](http://www.kraususa.com)

1.800.775.0703 / [customerservice@kraususa.com](mailto:customerservice@kraususa.com)



# Elavo™ / KCU-211

White Ceramic Small Oval Undermount Bathroom Sink w/ Overflow

Kräus®

SPECIFICATION SHEET

## Material

Vitreous China

## Installation Type

Undermount

## Bowl Shape

Oval

## Drain

Type: W/ Overflow

Drain Hole Size: 1 3/4"

## Dimensions

17 15/16" x 14 3/4" x 7 1/2"

## Accessories Included

Mounting Hardware

Template

## Optional Accessories

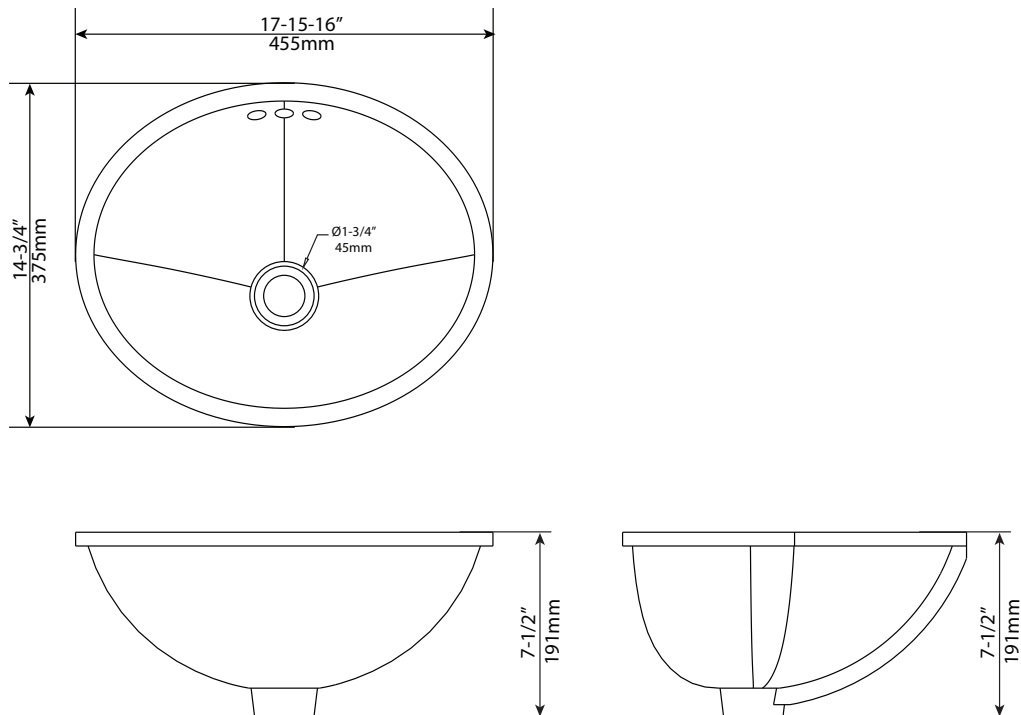
Pop-Up Drain: PU-11/PU-16

Grid Drains:

P-Traps: PT-50

Kraus Limited Lifetime Warranty: See website for details [www.kraususa.com](http://www.kraususa.com)

1.800.775.0703 / [customerservice@kraususa.com](mailto:customerservice@kraususa.com)



# Elavo™ / KCU-231

White Ceramic Square Undermount Bathroom Sink  
w/ Overflow

# Kräus®

SPECIFICATION SHEET

## Material

Vitreous China

## Installation Type

Undermount

## Bowl Shape

Square

## Drain

Type: W/ Overflow

Drain Hole Size: 1 3/4"

## Dimensions

17" x 17" x 7 11/16"

## Accessories Included

Mounting Hardware

Template

## Optional Accessories

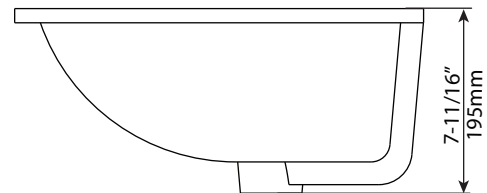
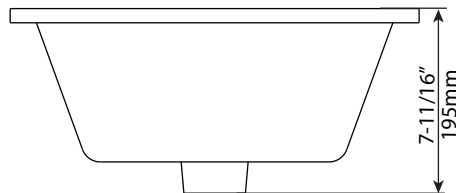
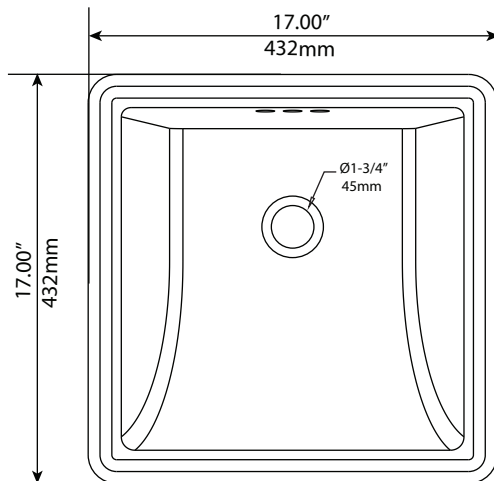
Pop-Up Drain: PU-11/PU-16

Grid Drains:

P-Traps: PT-50

Kraus Limited Lifetime Warranty: See website for details [www.kraususa.com](http://www.kraususa.com)

1.800.775.0703 / [customerservice@kraususa.com](mailto:customerservice@kraususa.com)



# Elavo™ / KCU-241

White Ceramic Small Rectangular Undermount  
Bathroom Sink w/ Overflow

Kräus®

SPECIFICATION SHEET

## Material

Vitreous China

## Installation Type

Undermount

## Bowl Shape

Rectangular

## Drain

Type: W/ Overflow

Drain Hole Size: 1 3/4"

## Dimensions

20 7/8" x 14 3/8" x 8 1/8"

## Accessories Included

Mounting Hardware

Template

## Optional Accessories

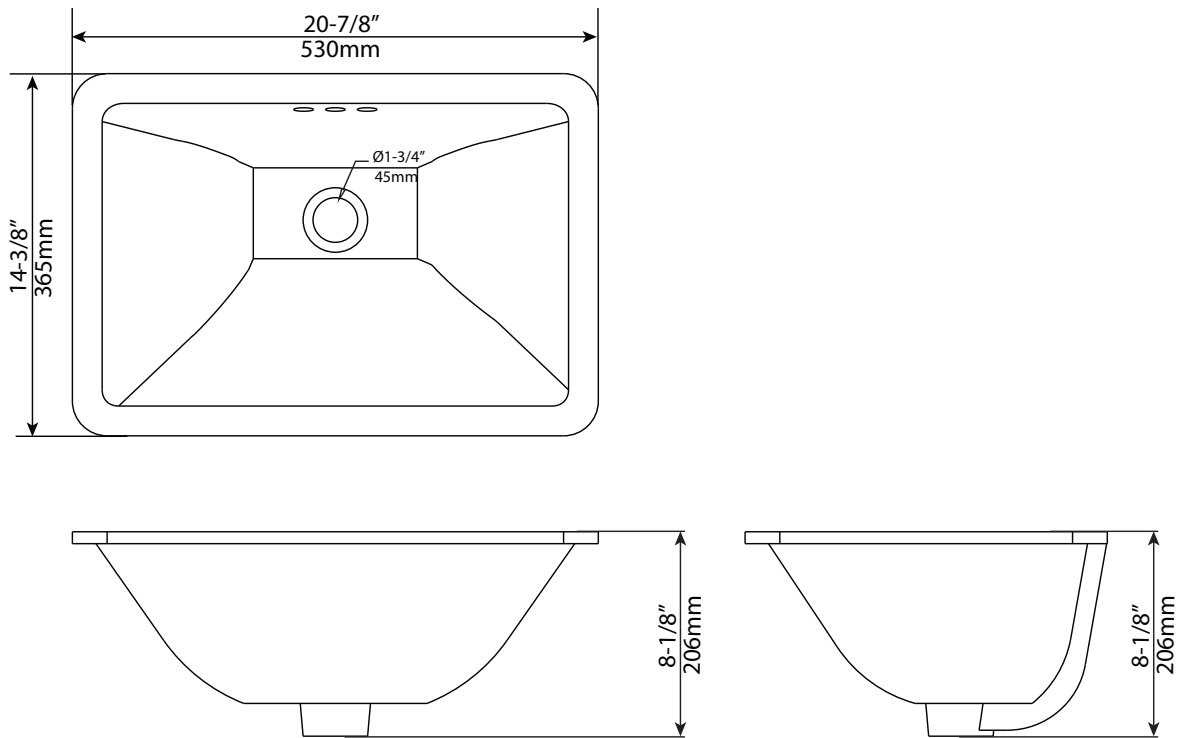
Pop-Up Drain: PU-11/PU-16

Grid Drains:

P-Traps: PT-50

Kraus Limited Lifetime Warranty: See website for details [www.kraususa.com](http://www.kraususa.com)

1.800.775.0703 / [customerservice@kraususa.com](mailto:customerservice@kraususa.com)





# Elavo™ / KCU-251

White Ceramic Large Rectangular Undermount  
Bathroom Sink w/ Overflow

Kräus®

SPECIFICATION SHEET

## Material

Vitreous China

## Installation Type

Undermount

## Bowl Shape

Rectangular

## Drain

Type: W/ Overflow

Drain Hole Size: 1 3/4"

## Dimensions

23 1/4" x 16 1/4" x 8 1/8"

## Accessories Included

Mounting Hardware

Template

## Optional Accessories

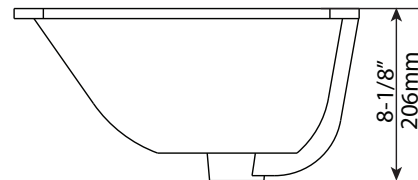
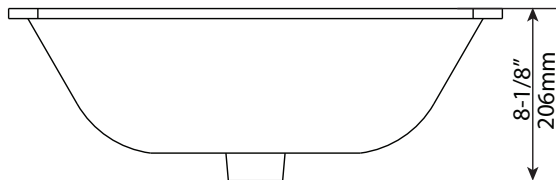
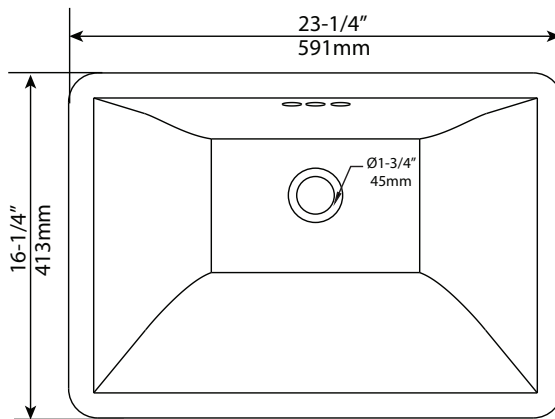
Pop-Up Drain: PU-11/PU-16

Grid Drains:

P-Traps: PT-50

Kraus Limited Lifetime Warranty: See website for details [www.kraususa.com](http://www.kraususa.com)

1.800.775.0703 / [customerservice@kraususa.com](mailto:customerservice@kraususa.com)



# Elavo™ / KCU-261

White Ceramic Flared Rectangular Undermount  
Bathroom Sink w/ Overflow

# Kräus®

SPECIFICATION SHEET

## Material

Vitreous China

## Installation Type

Undermount

## Bowl Shape

Rectangular

## Drain

Type: W/ Overflow

Drain Hole Size: 1 3/4"

## Dimensions

23 5/8" x 17 5/16" x 5 3/4"

## Accessories Included

Mounting Hardware

Template

## Optional Accessories

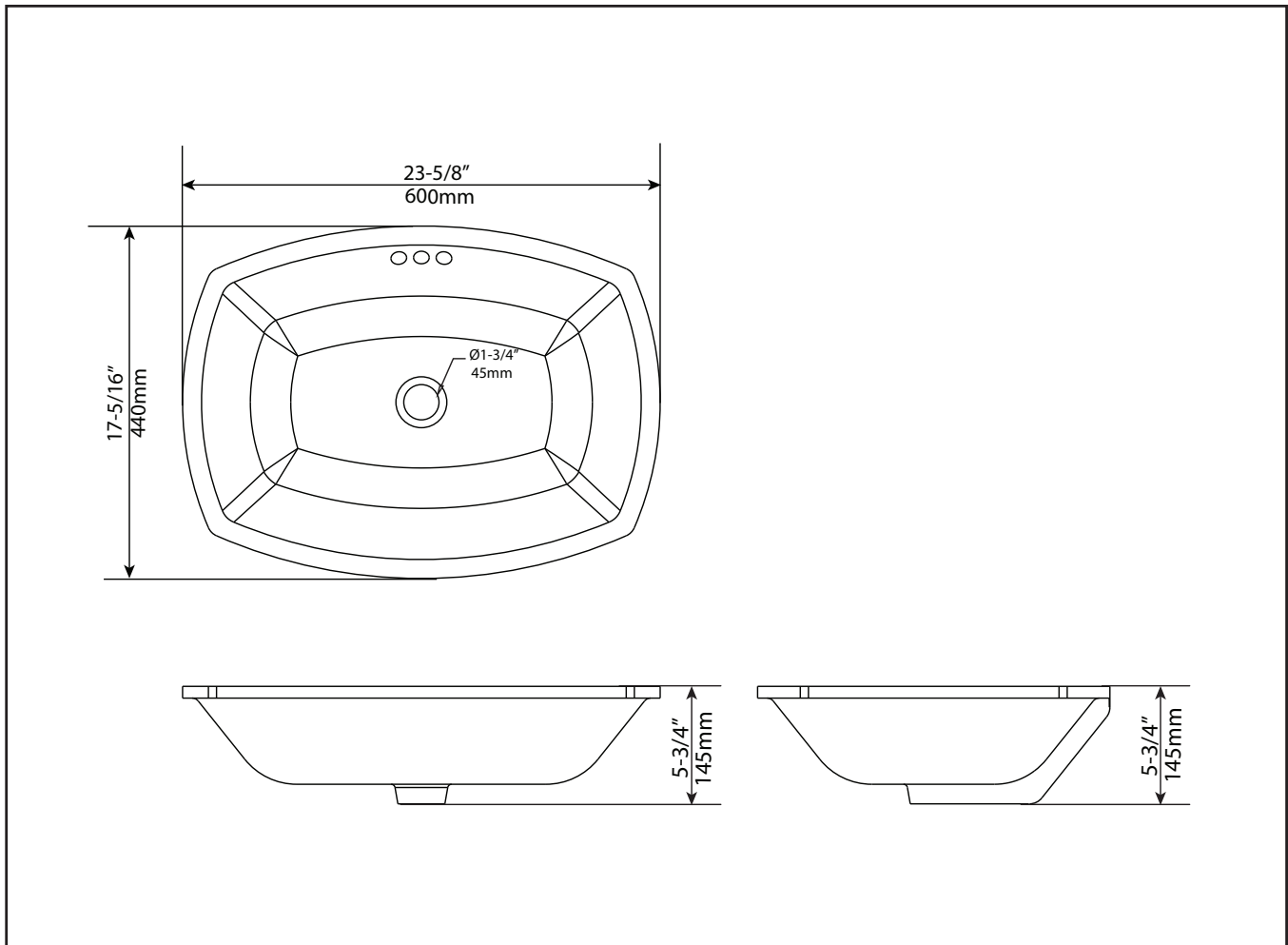
Pop-Up Drain: PU-11/PU-16

Grid Drains:

P-Traps: PT-50

Kraus Limited Lifetime Warranty: See website for details [www.kraususa.com](http://www.kraususa.com)

1.800.775.0703 / [customerservice@kraususa.com](mailto:customerservice@kraususa.com)



# Elavo™ / KCU-271

White Ceramic Large Oval Undermount Bathroom Sink w/ Overflow

# Kräus®

SPECIFICATION SHEET

## Material

Vitreous China

## Installation Type

Undermount

## Bowl Shape

Oval

## Drain

Type: W/ Overflow

Drain Hole Size: 1 3/4"

## Dimensions

21 1/4" x 17 1/4" x 7 1/2"

## Accessories Included

Mounting Hardware

Template

## Optional Accessories

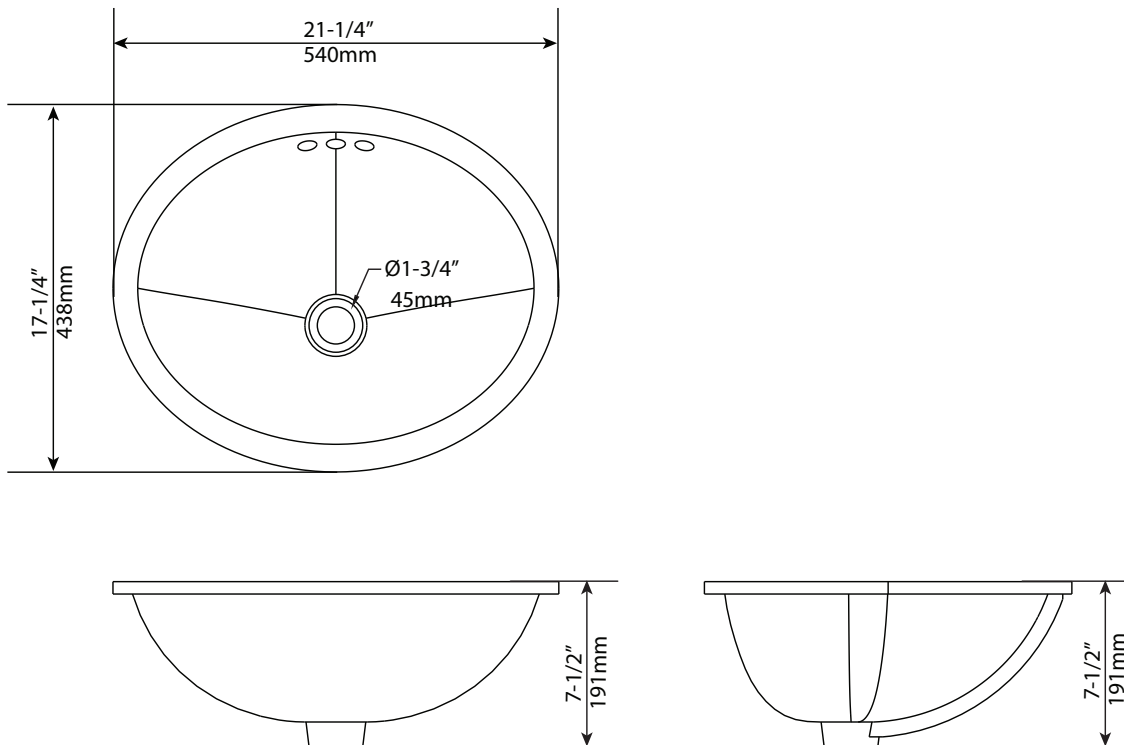
Pop-Up Drain: PU-11/PU-16

Grid Drains:

P-Traps: PT-50

Kraus Limited Lifetime Warranty: See website for details [www.kraususa.com](http://www.kraususa.com)

1.800.775.0703 / [customerservice@kraususa.com](mailto:customerservice@kraususa.com)



# Elavo™ / KCR-281

White Ceramic Square Semi-Recessed Bathroom Sink w/ Overflow

Kräus®

SPECIFICATION SHEET

## Material

Vitreous China

## Installation Type

Semi Recessed

## Bowl Shape

Square

## Drain

Type: W/ Overflow

Drain Hole Size: 1 3/4"

## Dimensions

16 1/4" x 16 1/4" x 6 11/16"

## Accessories Included

Template

## Optional Accessories

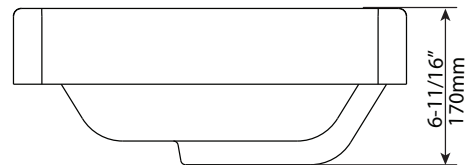
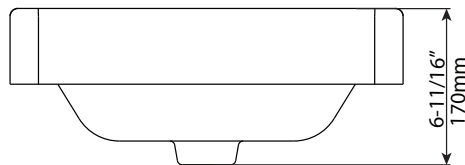
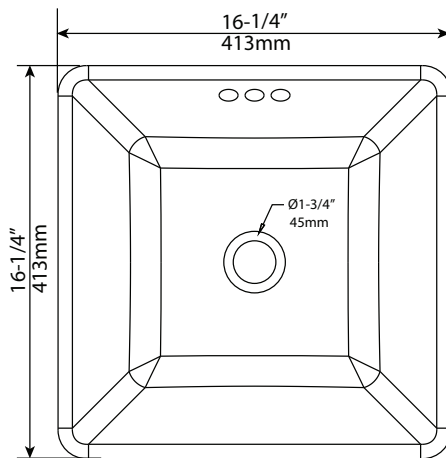
Pop-Up Drain: PU-11/PU-16

Grid Drains:

P-Traps: PT-50

Kraus Limited Lifetime Warranty: See website for details [www.kraususa.com](http://www.kraususa.com)

1.800.775.0703 / [customerservice@kraususa.com](mailto:customerservice@kraususa.com)



# Nature Series

## Glass Vessel Bathroom Sink

# Kräus<sup>®</sup>

SPECIFICATION SHEET

**Thickness:**  
19mm

**Material**  
Tempered Glass

**Dimensions**  
17" x 5 1/2"

**Models:**  
Midas / GV-390-19mm  
Nei / GV-391-19mm  
Blaze / GV-392-19mm  
Nix / GV-393-19mm  
Titania / GV-394-19mm  
Terra / GV-395-19mm  
Dryad / GV-396-19mm  
Kratos / GV-397-19mm  
Gaia / GV-398-19mm  
Ladon / GV-399-19mm

**Installation Type**  
Vessel

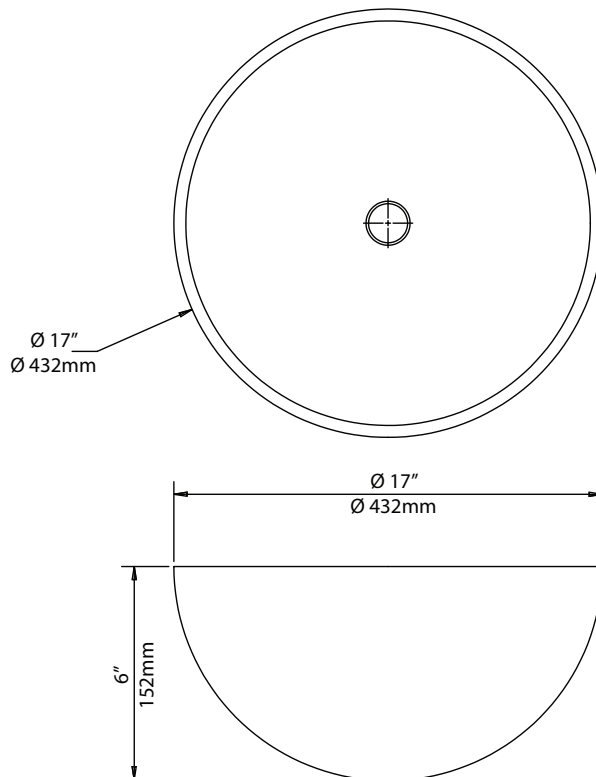
**Optional Accessories**  
Pop-Up Drain: PU-10/PU-15  
Grid Drains: PU-12  
P-Traps: PT-50

**Bowl Shape**  
Round

**Drain**  
Type: W/O Overflow  
Drain Hole Size: 1 3/4"  
Mounting Ring  
(Required but not included)

Kraus Limited Lifetime Warranty: See website for details [www.kraususa.com](http://www.kraususa.com)

1.800.775.0703 / [customerservice@kraususa.com](mailto:customerservice@kraususa.com)



# Multi-Color Series

## Glass Vessel Bathroom Sink

# Kräus<sup>®</sup>

SPECIFICATION SHEET

**19 mm Thickness**  
**Dimension: 17" x 6"**

Venus / GV-571-19mm  
Luna / GV-650-19mm  
Mercury / GV-680-19mm  
Magma / GV-681-19mm  
Triton / GV-690-19mm  
Orion / GV-691-19mm  
Charon / GV-692-19mm  
Iris / GV-693-19mm  
Prometheus / GV-694-19mm  
Bastet / GV-695-19mm

**12 mm Thickness**  
**Dimension: 16 1/2" x 5 1/2"**

Irruption Red / GV-200  
Irruption Blue / GV-204  
Callisto / GV-570  
Copper Illusion / GV-580  
Ares / GV-651  
Saturn / GV-682  
Jupiter / GV-683  
Pluto / GV-684  
Lava / GV-710

**Material**  
Tempered Glass

**Installation Type**  
Vessel

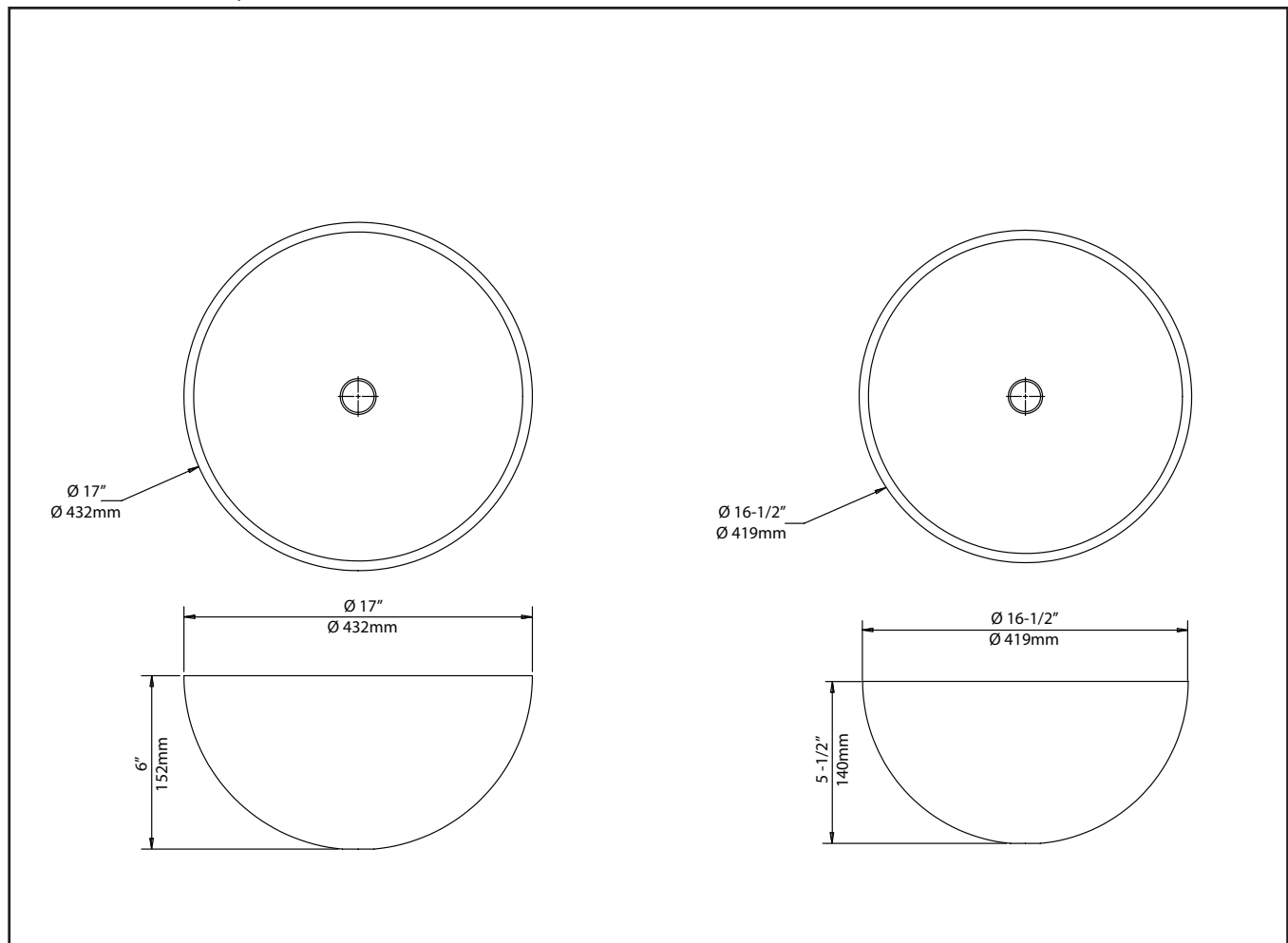
**Bowl Shape**  
Round

**Drain**  
Type: W/O Overflow  
Drain Hole Size: 1 3/4"  
Mounting Ring  
(Required but not included)

**Optional Accessories**  
Pop-Up Drain: PU-10/PU-15  
Grid Drains: PU-12  
P-Traps: PT-50

Kraus Limited Lifetime Warranty: See website for details [www.kraususa.com](http://www.kraususa.com)

1.800.775.0703 / [customerservice@kraususa.com](mailto:customerservice@kraususa.com)



# Clear & Frosted Series

## Glass Vessel Bathroom Sink

# Kräus®

SPECIFICATION SHEET

**19 mm Thickness**  
**Dimension: 17" x 6"**

Clear / GV-101-19mm  
Clear 34mm Edge / GV-150-19mm

**12 mm Thickness**  
**Dimension: 16 1/2" x 5 1/2"**

Crystal Clear / GV-100  
Clear / GV-101  
Frosted / GV-101FR  
Clear Brown / GV-103  
Brown Frosted / GV-103FR  
Clear Black / GV-104  
Black Frosted / GV-104FR

**Material**  
Tempered Glass

**Installation Type**  
Vessel

**Bowl Shape**  
Round

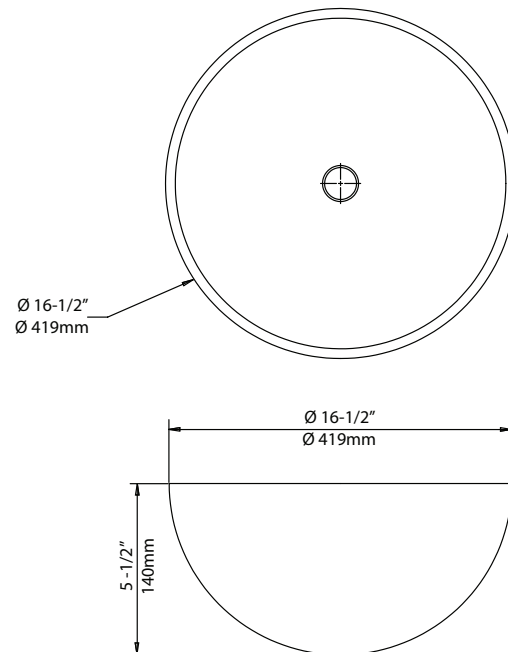
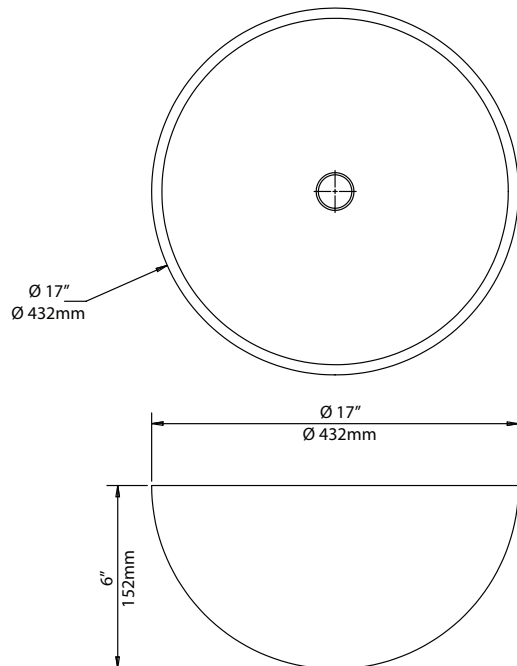
**Drain**  
Type: W/O Overflow  
Drain Hole Size: 1 3/4"  
Mounting Ring  
(Required but not included)

**Optional Accessories**  
Pop-Up Drain: PU-10/PU-15  
Grid Drains: PU-12  
P-Traps: PT-50

For information on our products, please visit our website for details [www.kraususa.com](http://www.kraususa.com)

1.800.775.0703 / [customerservice@kraususa.com](mailto:customerservice@kraususa.com)

Mosaic / GV-500



# Clear & Frosted Series 14"

Glass Vessel Bathroom Sink

# Kräus<sup>®</sup>

SPECIFICATION SHEET

## Thickness

12mm

## Material

Tempered Glass

## Dimensions

14" x 5 1/2"

## Models

Clear 14" / GV-101-14

Frosted 14" / GV-101FR-14

Clear Brown 14" / GV-103-14

Frosted Brown 14" / GV-103FR-14

Clear Black 14" / GV-104-14

Frosted Black 14" / GV-104FR-14

Mosaic 14" / GV-500-14

## Installation Type

Vessel

## Bowl Shape

Round

## Drain

Type: W/O Overflow

Drain Hole Size: 1 3/4"

Mounting Ring

(Required but not included)

## Optional Accessories

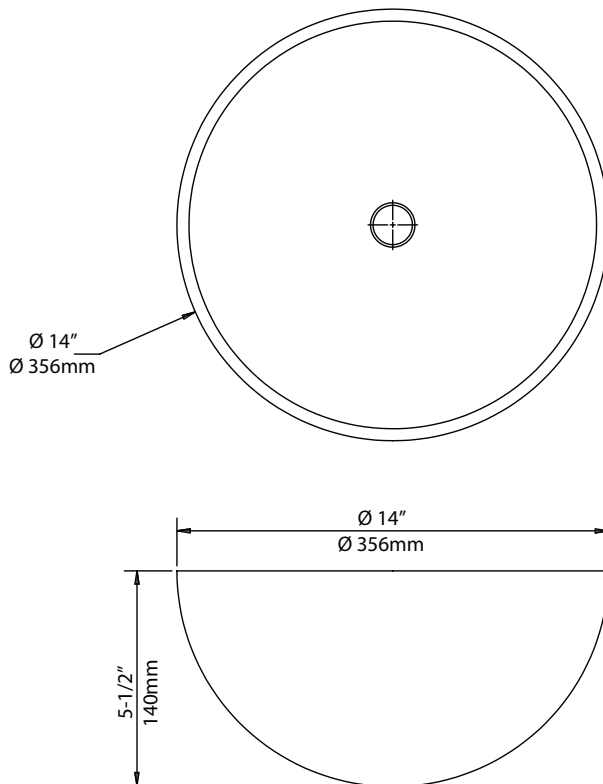
Pop-Up Drain: PU-10/PU-15

Grid Drains: PU-12

P-Traps: PT-50

Kraus Limited Lifetime Warranty: See website for details [www.kraususa.com](http://www.kraususa.com)

1.800.775.0703 / [customerservice@kraususa.com](mailto:customerservice@kraususa.com)





# Aquamarine Square Clear

Glass Vessel Bathroom Sink

Kräus<sup>®</sup>

SPECIFICATION SHEET

## Thickness

19mm

## Bowl Shape

Square

## Dimensions

16 1/2" x 16 1/2" x 6"

## Model

GVS-901-19mm

## Drain

Type: W/O Overflow

Drain Hole Size: 1 3/4"

## Optional Accessories

Pop-Up Drain: PU-10/PU-15

Grid Drains: PU-12

P-Traps: PT-50

## Material

Tempered Glass

Mounting Ring

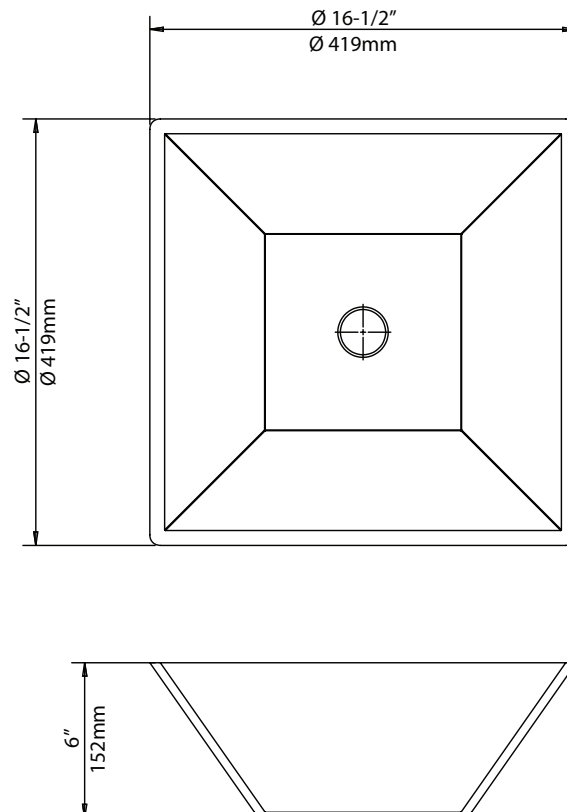
(Required but not included)

## Installation Type

Vessel

Kraus Limited Lifetime Warranty: See website for details [www.kraususa.com](http://www.kraususa.com)

1.800.775.0703 / [customerservice@kraususa.com](mailto:customerservice@kraususa.com)



# Rectangular Series

Glass Vessel Bathroom Sink

# Kräus<sup>®</sup>

SPECIFICATION SHEET

### Thickness

15mm

### Installation Type

Vessel

### Dimensions

21 7/8" x 13 7/8" x 4"

### Models

Irruption Blue Rectangular/  
GVR-204-RE

Golden Pearl Rectangular/  
GVR-210-RE

### Bowl Shape

Rectangular

### Optional Accessories

Pop-Up Drain: PU-10/PU-15

Grid Drains: PU-12

P-Traps: PT-50

### Drain

Type: W/O Overflow

Drain Hole Size: 1 3/4"

Mounting Ring: Not Required

### Material

Tempered Glass

Kraus Limited Lifetime Warranty: See website for details [www.kraususa.com](http://www.kraususa.com)

1.800.775.0703 / [customerservice@kraususa.com](mailto:customerservice@kraususa.com)

