

## INO™ SERIES



Immerse yourself in the beauty of naturally-inspired design with the simple silhouettes and slender profiles of the **Ino™ Faucet Series**. The striking design offers a light and contemporary look that matches a variety of bathroom décor styles and features a custom laminar flow, for stream-like water delivery. Streamlined handles blend organically with the faucet body, and rotate to provide precise temperature control. For a lifetime of reliable operation, all **Ino™** faucets are made with the industry's most trusted materials and components, including all-brass ceramic disc cartridges from market-leading German manufacturer Flühs.



**KEF-15700**  
13.25"H x 4.56"L x 2"W  
KRAUS Ino™ Vessel Single  
Handle Bathroom Faucet



**KEF-15701**  
8"H X 4.63"L X 2"W  
KRAUS Ino™ Basin Single  
Handle Bathroom Faucet



**KEF-15703**  
8"H X 5"L X 8"W  
KRAUS Ino™ Two Handle 8 Inch  
Widespread Bathroom Faucet



**CHROME**  
(CH)



**BRUSHED  
NICKEL**  
(BN)



**OIL RUBBED  
BRONZE**  
(ORB)

## INO™ SERIES QUICK REFERENCE

SKU	DIMENSIONS	BASIN	VESSEL	WIDESPREAD	HANDLE TURN
KEF-15701	8"H X 4.63"L X 2"W	●	●	●	1/2
KEF-15703	8"H X 4.56"L X 8"W	●	●	●	1/4
KEF-15700	13.25"H X 4.56"L X 2"W	●	●	●	1/2



## FEATURES



**WaterSense-Certified**  
Eco-friendly flow rate

**SOLID BRASS**

**Raw Material**  
For maximum durability

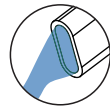
**1.2**  
GPM FLOW RATE

**Uses 45% Less Water**  
Reduces water waste without compromising pressure



**Energy-Saving Flühs Cartridge**

Progressive all-brass cartridge for reliable operation



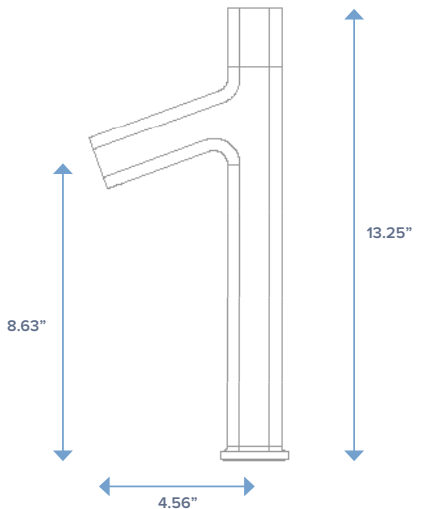
**Custom Laminar Flow**

For natural stream-like water delivery

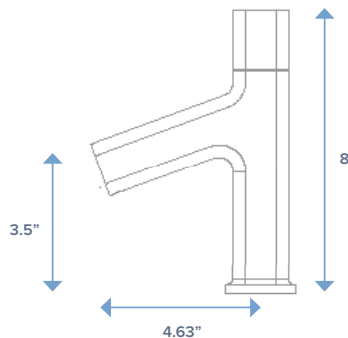


**Guaranteed for Life**

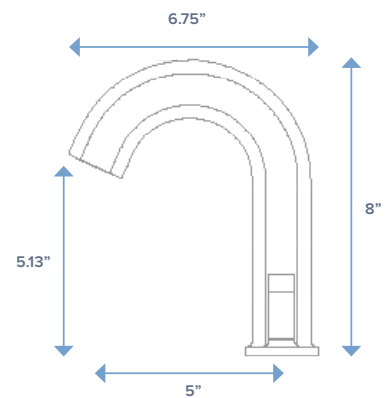
Backed by Kraus' award-winning customer service



**KEF-15700**  
Faucet Height: 13.25"  
Spout Height: 8.63"  
Spout Reach: 4.56"



**KEF-15701**  
Faucet Height: 8"  
Spout Height: 3.5"  
Spout Reach: 4.63"



**KEF-15703**  
Faucet Height: 8"  
Spout Height: 5.13"  
Spout Reach: 5"